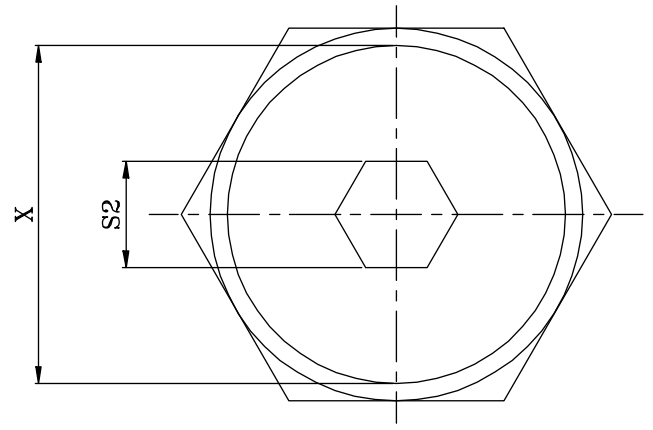
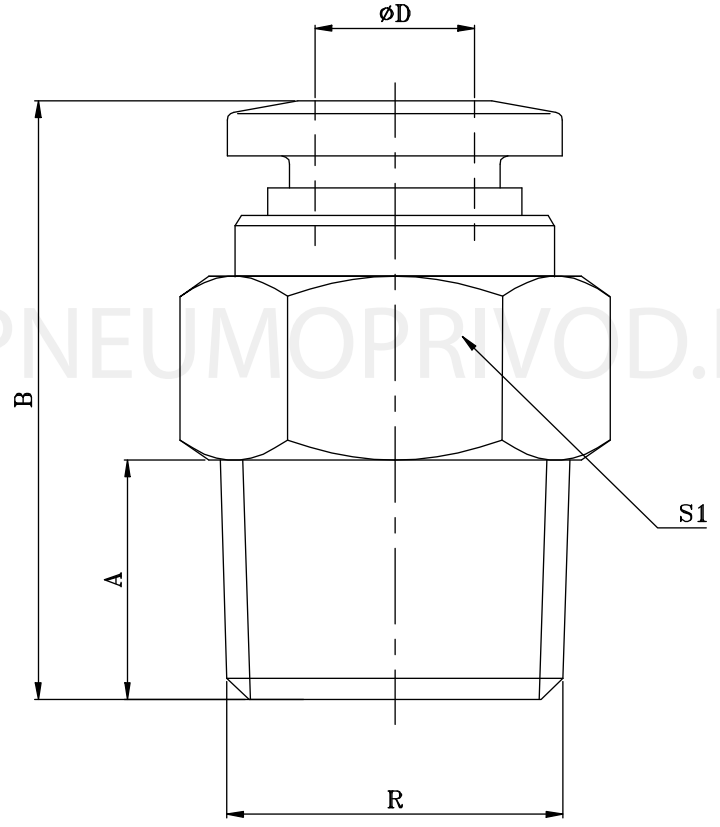


PNEUMOPRIVOD.RU



PNEUMOPRIVOD.RU

| МОДЕЛЬ | D | R | A | B | S1 | S2 | X |
|----------|----|-------|------|------|----|----|------|
| EPC04-M5 | 4 | M5 | 4 | 16.3 | 10 | 2 | 10.5 |
| EPC04-M6 | 4 | M6 | 4.5 | 16.8 | 10 | 2 | 10.5 |
| EPC04-01 | 4 | PT1/8 | 7 | 20 | 10 | 3 | 10.5 |
| EPC04-02 | 4 | PT1/4 | 9 | 18.1 | 14 | 3 | 10.5 |
| EPC06-M5 | 6 | M5 | 4 | 17.1 | 12 | 2 | 12.6 |
| EPC06-M6 | 6 | M6 | 4.5 | 17.6 | 12 | 2 | 12.6 |
| EPC06-01 | 6 | PT1/8 | 7 | 20.5 | 12 | 4 | 12.6 |
| EPC06-02 | 6 | PT1/4 | 9 | 21.7 | 14 | 4 | 12.6 |
| EPC06-03 | 6 | PT3/8 | 10 | 20.5 | 17 | 4 | 12.6 |
| EPC06-04 | 6 | PT1/2 | 12.5 | 23.1 | 21 | 4 | 12.6 |
| EPC08-01 | 8 | PT1/8 | 7 | 25.5 | 14 | 5 | 14.1 |
| EPC08-02 | 8 | PT1/4 | 9 | 23.9 | 14 | 6 | 14.1 |
| EPC08-03 | 8 | PT3/8 | 10 | 21.5 | 17 | 6 | 14.1 |
| EPC08-04 | 8 | PT1/2 | 12.5 | 24 | 21 | 6 | 14.1 |
| EPC10-01 | 10 | PT1/8 | 7 | 28 | 17 | 5 | 18.1 |
| EPC10-02 | 10 | PT1/4 | 9 | 29.7 | 17 | 6 | 18.1 |
| EPC10-03 | 10 | PT3/8 | 10 | 27.2 | 17 | 8 | 18.1 |
| EPC10-04 | 10 | PT1/2 | 12.5 | 24.6 | 21 | 8 | 18.1 |
| EPC12-01 | 12 | PT1/8 | 7 | 30 | 20 | 5 | 20.6 |
| EPC12-02 | 12 | PT1/4 | 9 | 32 | 20 | 6 | 20.6 |
| EPC12-03 | 12 | PT3/8 | 10 | 29 | 20 | 10 | 20.6 |
| EPC12-04 | 12 | PT1/2 | 12.5 | 28 | 21 | 10 | 20.6 |