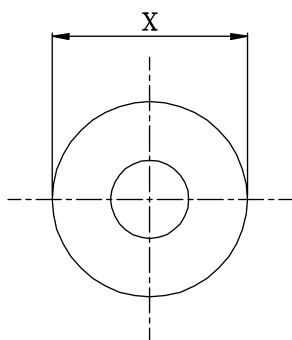
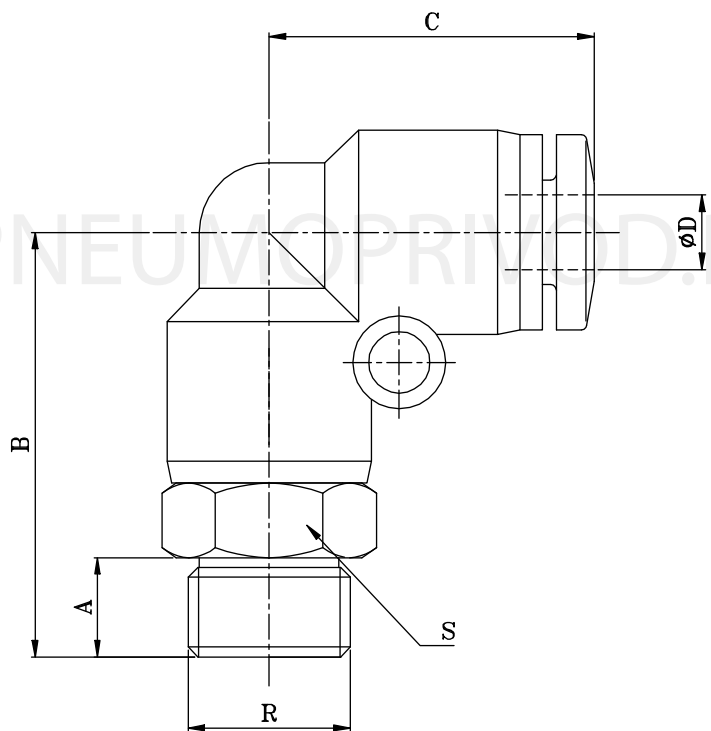


PNEUMOPRIVOD.RU



PNEUMOPRIVOD.RU

МОДЕЛЬ	D	R	A	B	C	S	X
EPL04-01G	4	G1/8	5	21.5	17.5	12	10.5
EPL04-02G	4	G1/4	6.5	24	17.5	17	10.5
EPL06-01G	6	G1/8	5	24	19.5	12	12.6
EPL06-02G	6	G1/4	6.5	26	19.5	17	12.6
EPL06-03G	6	G3/8	7	27	19.5	20	12.6
EPL06-04G	6	G1/2	10	30.5	19.5	24	12.6
EPL08-01G	8	G1/8	5	27	22.5	14	14.1
EPL08-02G	8	G1/4	6.5	28.5	22.5	17	14.1
EPL08-03G	8	G3/8	7	29.5	22.5	20	14.1
EPL08-04G	8	G1/2	10	33	22.5	24	14.1
EPL10-01G	10	G1/8	5	31.8	26.9	17	18.1
EPL10-02G	10	G1/4	6.5	33.3	26.9	17	18.1
EPL10-03G	10	G3/8	7	33.8	26.9	20	18.1
EPL10-04G	10	G1/2	10	37.3	26.9	24	18.1
EPL12-01G	12	G1/8	5	34.5	29.3	19	20.6
EPL12-02G	12	G1/4	6.5	36	29.3	19	20.6
EPL12-03G	12	G3/8	7	36.5	29.3	20	20.6
EPL12-04G	12	G1/2	10	39.5	29.3	24	20.6